

1. Hand wash basin and through

Hand wash basin and through for wall-mounting with back board

Fully welded basin, easy cleaning because of wide radii, no horizontal surfaces, brushed finish, with optic-sensor or knee handling, chromed water-tap with aerator, incl. wall mounting rail

All hand wash basin and hand wash through correspond to the EG and US hygiene requirements and electrical regulations VDE.

Technical data:

Material: stainless steel 1.4301(ss304)

Electrical connection: 230 V, 50 Hz

Control voltage: 24 V

Protection class IP 64

Connecting cable: 1,5 m

Water inlet: 1/2" BSP, warm and cold water

Industrial water mixer: 1/2" AG

Water outlet: 1 1/2" x 70 mm

(Non return valve, siphon, gaskets and small parts do not contain in the scope of supply!)

Executions

HWR1

Optic sensor

Places: 1

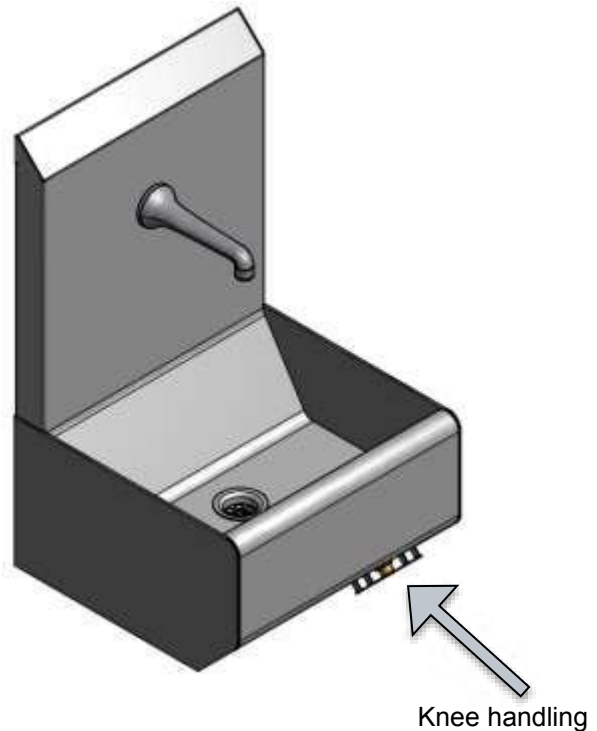
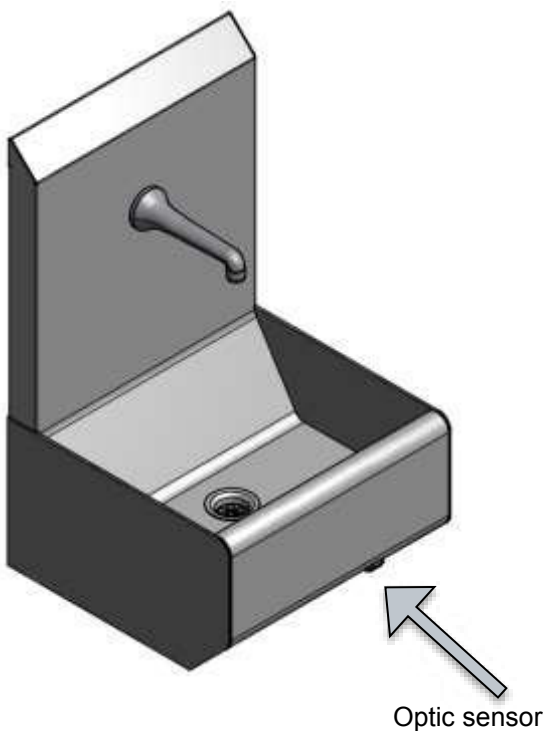
Dimension WxDxH: approx. 400 x 400 x 665 mm

HWR1/K

Knee handling

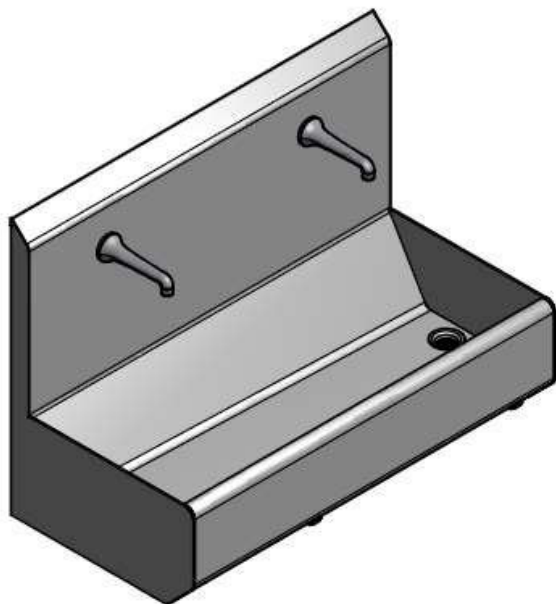
Places: 1

Dimension WxDxH: approx. 400 x 400 x 665 mm



HWR2

Optic sensor
Places: 2
Dimension WxDxH: approx. 1000 x 500 x 700 mm

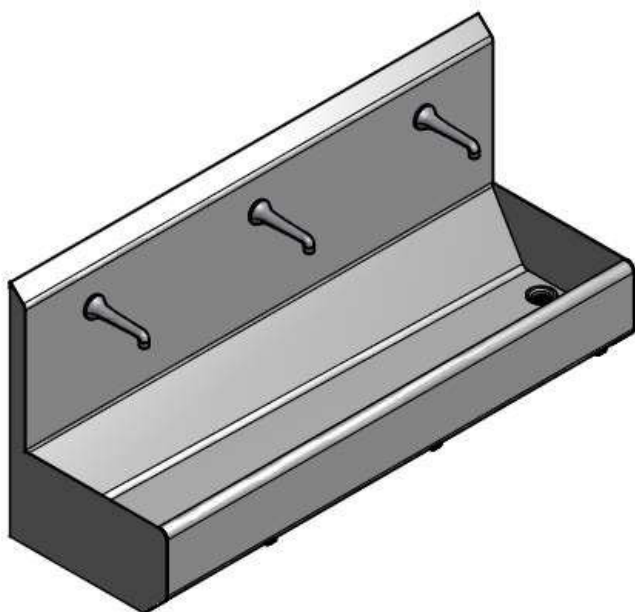


HWR2/K

Knee handling
Places: 2
Dimension WxDxH: approx. 1000 x 500 x 700 mm

HWR3

Optic sensor
Places: 3
Dimension WxDxH: approx. 1500 x 500 x 700 mm



HWR3/K

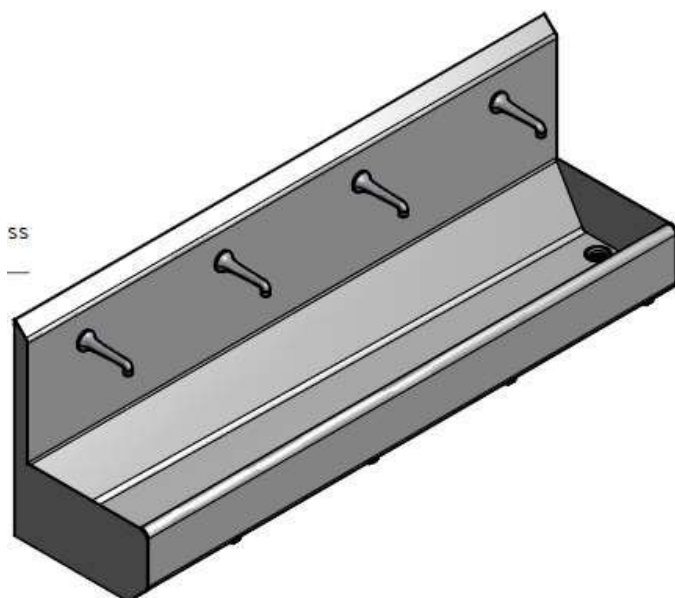
Knee handling
Places: 3
Dimension WxDxH: approx. 1500 x 500 x 700 mm

HWR4

Optic sensor
Places: 4
Dimension WxDxH: approx. 2000 x 500 x 700 mm

HWR4/K

Knee handling
Places: 4
Dimension WxDxH: approx. 2000 x 500 x 700 mm

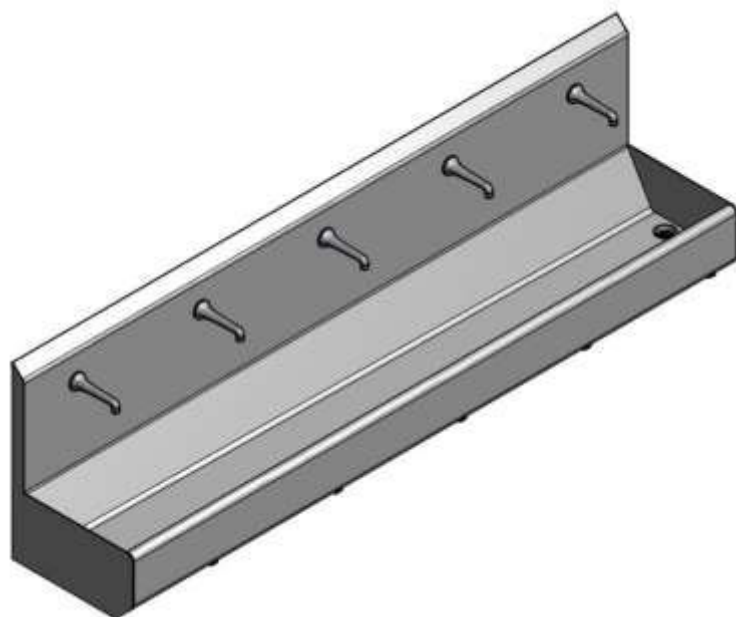


HWR5

Optic sensor
Places: 5
Dimension WxDxH: approx. 2500 x 500 x 700 mm

HWR5/K

Knee handling
Places: 5
Dimension WxDxH: approx. 2500 x 500 x 700 mm



Hand washing and disinfection



HWR6

HWR6/K

Optic sensor

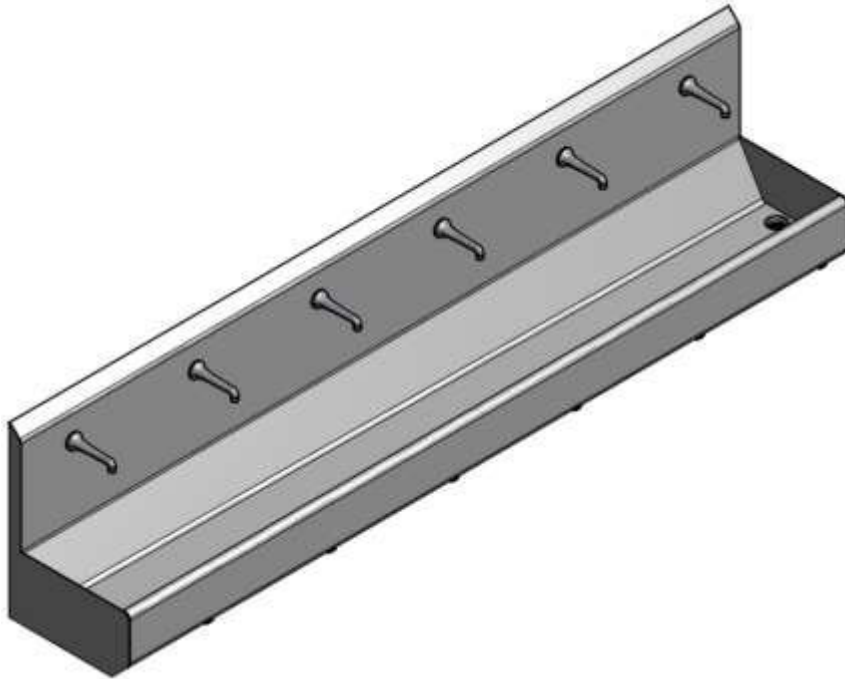
Places: 6

Dimension WxDxH: approx. 3000 x 500 x 700 mm

Knee handling

Places: 6

Dimension WxDxH: approx. 3000 x 500 x 700 mm



Hand wash basin and trough for wall-mounting without back board

Fully welded basin, easy cleaning because of wide radii, no horizontal surfaces, brushed finish, with optic-sensor or knee handling, chromed water-tap with aerator, incl. wall mounting rail

All hand wash basin and hand wash trough correspond to the EG and US hygiene requirements and electrical regulations VDE.

Technical data:

Material: stainless steel 1.4301(ss304)

Electrical connection: 230 V, 50 Hz

Control voltage: 24 V

Protection class IP 64

Connecting cable: 1,5 m

Water inlet: 1/2" BSP, warm and cold water

Industrial water mixer: 1/2" AG

Water outlet: 1 1/2" x 70 mm

(Non return valve, siphon, gaskets and small parts do not contain in the scope of supply!)

Executions

HWR1/OR

Optic sensor

Places: 1

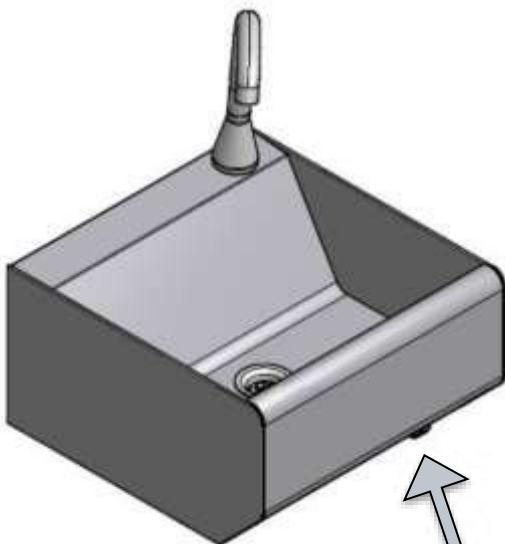
Dimension WxDxH: 400 x 400 x 230/526 mm

HWR1/OR/K

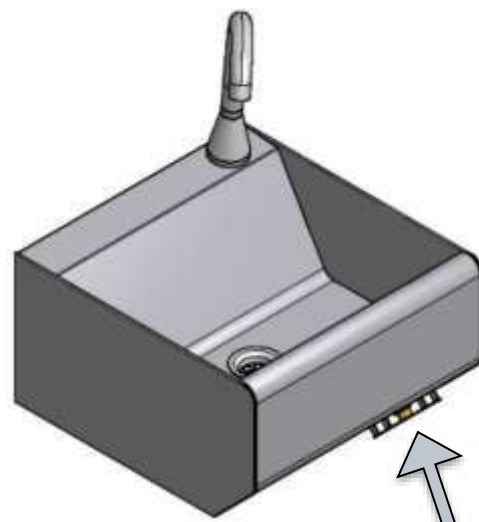
Knee handling

Places: 1

Dimension WxDxH: 400 x 400 x 230/526mm



Optic Sensor



Knee handling

Hand washing and disinfection



HWR2/OR

Optic sensor
Places: 2
Dimension WxDxH: 1000 x 500 x 260/526 mm

HWR2/OR/K

Knee handling
Places: 2
Dimension WxDxH: 1000 x 500 x 260/526 mm

HWR3/OR

Optic sensor
Places: 3
Dimension WxDxH: 1500 x 500 x 260/526 mm

HWR3/OR/K

Knee handling
Places: 3
Dimension WxDxH: 1500 x 500 x 260/526 mm

HWR4/OR

Optic sensor
Places: 4
Dimension WxDxH: 2000 x 500 x 260/526 mm

HWR4/OR/K

Knee handling
Places: 4
Dimension WxDxH: 2000 x 500 x 260/526 mm

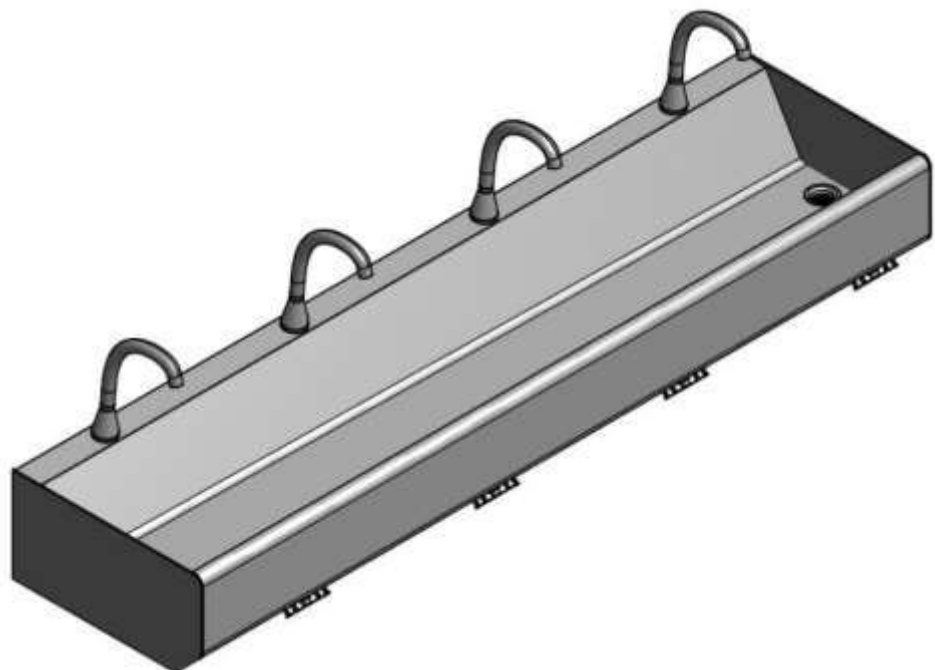
HWR5/OR

Optic sensor
Places: 5
Dimension WxDxH: 2500 x 500 x 260/526 mm

HWR5/OR/K

Knee handling
Places: 5
Dimension WxDxH: 2500 x 500 x 260/526 mm

Example HWR4/OR/K



Options (against additional charge)

SF

Base support for hand wash basin



SF2

Base support for hand wash through (1 set = 2 pcs.)



SF/W

Base support for hand wash basin with maintenance door



Examples – Special executions

HWR1-D

Hand wash basin with firmly installed Vaillant flow heater, VED-H3 / 1N3, 3.5 kW - 230 volts, electronically controlled, pressure resistant design, wash basin case extended on the sides and closed underneath, rear open, incl. wall mounting rail

Technical data:

Material: stainless steel 1.4301(ss304)

External dimensions (WxDxH): approx. 405 x 410 x 917 mm

Internal dimensions of basin (WxDxH): approx. 400 x 400 x 170 mm

Capacity of (WxDxH): approx. 400 x 330 x 450 mm

Electrical connection: 230 V, 50 Hz

Control voltage: 24 V

Protection class IP 64

Connecting cable: 1,5 m

Water inlet: 1/2" BSP, warm and cold water

Water outlet: 1 1/2" x 70 mm

(Non return valve, siphon, gaskets and small parts do not contain in the scope of supply!)



Hand wash through with flow heater also available

HWR1S

Hand wash basin with rear panel and pedestal, fully welded body with wide radii to facilitate the cleaning, no horizontal surfaces; surfaces brushed, with Opto sensor; chromed tap with aerator

Technical data:

Material: stainless steel 1.4301 (T=1,5mm)

Dimensions (WxDxH): approx. 400 x 400 x 1280 mm

Electric connection: 230 V 50 Hz

Control voltage 24 V

Protection class: IP 64

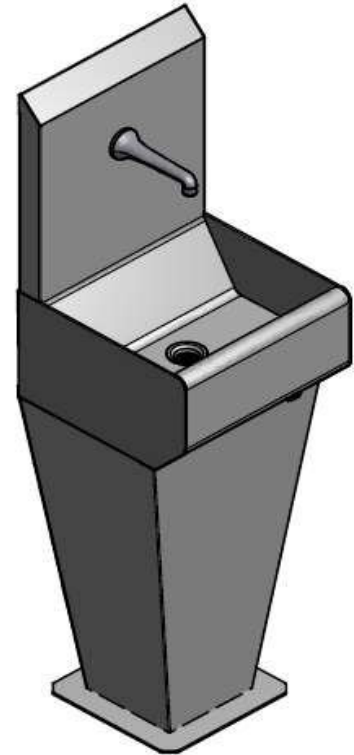
Connecting pipe with plug 1.5 m

Water connection concentric, 1/2" cold waters and 1/2" hot water

Industrial water mixer 1/2" AG

Drain: 1 1/2" x 70 mm

(Check valve, siphon, gaskets and small parts not included!)



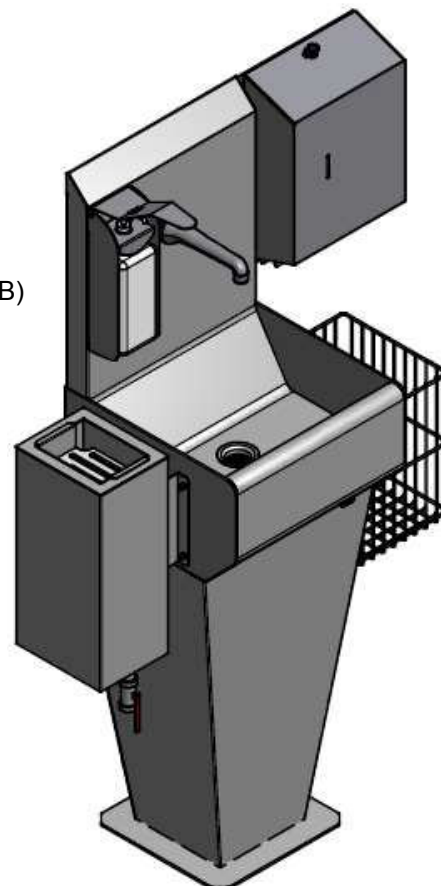
HWR1S-D

with firmly installed flow heater

Hand wash trough with flow heater and pedestal also available

Example HWR1S inclusive

- Soap dispenser (Art-No. TLS25D)
- Towel dispenser (Art-No. HSU31D)
- Waste paper basket (Art-No. PK)
- Sterilizing basin for knives (Art-No. MSB)

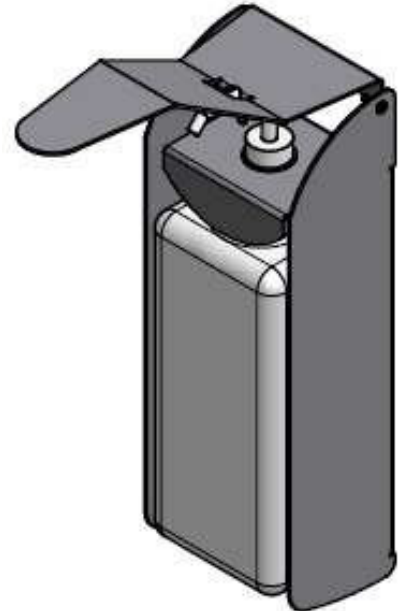


2. Soap and disinfectant dispenser

TLS25D

Soap and Disinfectant-Dispenser, can be filled with all kinds of liquid soaps and disinfectants, Housing made of stainless steel, plastic pump with mounting plate and screws

Incl. Refillable storage tank = 1000 ml,
Dimension LxWxH: 100 x 70 x 285 mm



TLS25E

Soap and disinfectant-Dispenser, can be filled with all kinds of liquid soaps and disinfectants, Lid semi-circular, stainless steel pump, Lockable front, with level indicator (Perspex disc)

Incl. Refillable storage tank = 1000 ml,
Dimension LxWxH: 98 x 90 x 353 mm



HDI10

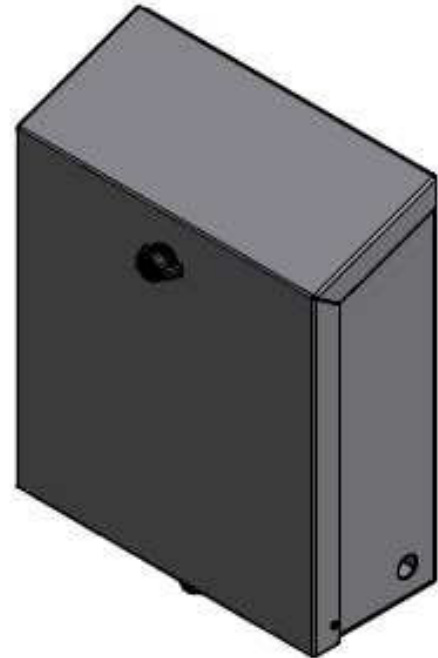
The **hand disinfectant dispenser** is wall mounted for hygiene and entry areas (with door release control) of sales and production areas and once connected to a power supply and filled with a 1-liter container of disinfecting liquid is ready-to-use.

Technical Data:

Material: stainless steel 1.4301

Dimensions: WxDxH: 254 x 108 x 303 mm

Electric mains: 230 V - 50 Hz, IP 64



HDS10

Execution as above but as

Dispenser for **liquid soap**

HDI1000

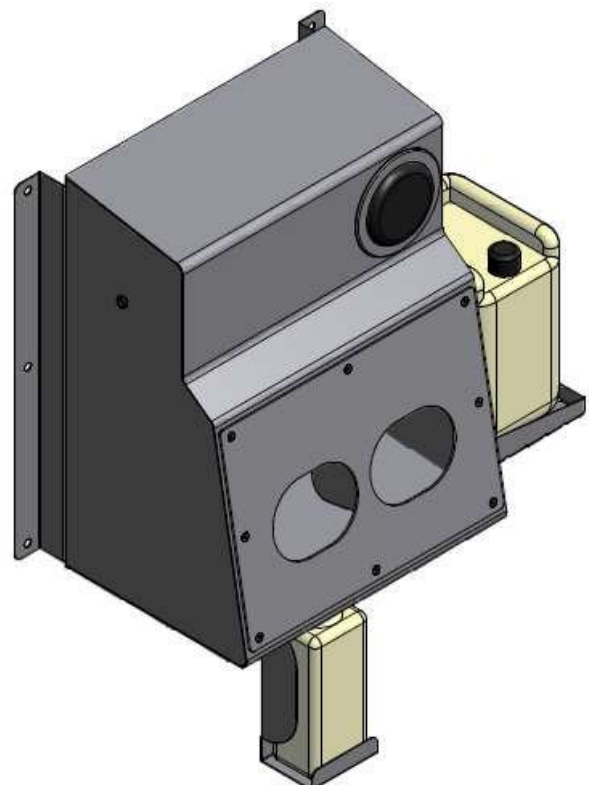
Dispenser for hand disinfection, sensor controlled, made of stainless steel 1.4301, for 5000 ml, for both hands, hands will be disinfected through 4 spray nozzles (up and down), with relay for door opening, optical signal: X = closed, after passing = green arrow,

Technical Data:

Material: stainless steel 1.4301

Dimensions: WxDxH: 500 x 320 x 780 mm

Electric mains: 230 V - 50 Hz, IP 64



HDS1000

Execution as above but as

Dispenser for **liquid soap**

HDIDS-SP

Steripower white, contactless hand disinfection unit for daily use, device is maintenance free, ready for use immediately and everywhere as it is usable with mains operation and accumulator, dosage: Dosage is adjustable in 10 steps of 0.5 - 5 ml, additional smooth dosage of the quantity of the liquid is possible.

Function with sensor, while insertion of the hands the sensor sprays out the application quantity which is adjusted, spray disk: moistened both hands comprehensively, there does not occur smoke screen (no aerosol steams), compatibility: all standard disinfectants are insert able (0.5 and 1.0 l bottles), big opening: for the contactless hand disinfection of both hands, a drip cup with integrated suction pad which absorbs the excessive liquid and comprises it, DIN charge socket: charge socket for the electric supply of the supplied battery charger, accumulator power is about 6 weeks, an optical signal shows the upcoming breakdown of the accumulator, optional you will receive also the power plug for the device.

Equipment: each 1 battery charger, drip cup, installation and operating instruction, connection diagram, accumulator/battery protective cap

Technical data:

Dimensions: WxDxH approx.: 280 x 197 x 480 mm,

Operating voltage: 12V,

Engine spray pump: 12V,

max. power: 12W,

Average spray time: 1.0 - 3.0 seconds,

Spray power: 0.5 - 5.0 ml,

Container for liquids up to 1000 ml,

Weight: 5 Kg,



HDIDS

Disinfection column for mounting of a hand disinfecting machine (Steripower), Freestanding, front panel made of stainless steel sheet at the back of two round tubes Ø 35 mm

Material: stainless steel 1.4301

Dimensions: approx. WxDxH 380 x 410 x 1650 mm

