

9. Pallet Washer



Pallet

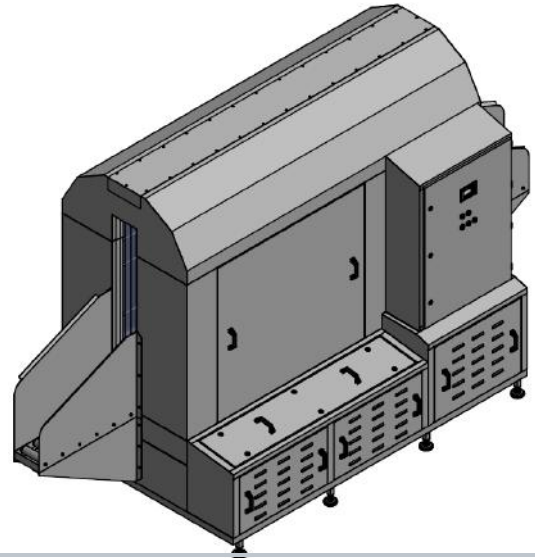
LxWxH:

min: 1200 x 800 x 160 mm

max. 1200 x 1200 x 160 mm

Loading:

Pass-through-machine



PWM100

. Capacity: 50 - 100 Per hour

Compact conveying pallet washer machine for fast and effective cleaning of slight to moderately contaminated plastic hygiene pallets.

The pallet washer is divided into a main wash and a rinsing zone. In the main wash zone the pallets are cleaned with circulating water which is invariably kept at the desired temperature by the installed tank heater. The water of the main wash zone is constantly filtered by an elaborate filtration system. In the rinsing zone the pallets are rinsed with clean fresh water and subsequently conducted into the tank of the main wash zone to be re-used. This procedure achieves minimal water, energy and chemical consumption as well as superb wash results.

In order to ensure an optimal cleaning of all faces, the pallets are transported by a conveyor chain at even distances through the unit; the installed rotatable. Clip-eyelet flat nozzles ensure an efficient cleaning of the pallets.


Pallet transportation : upright, horizontal

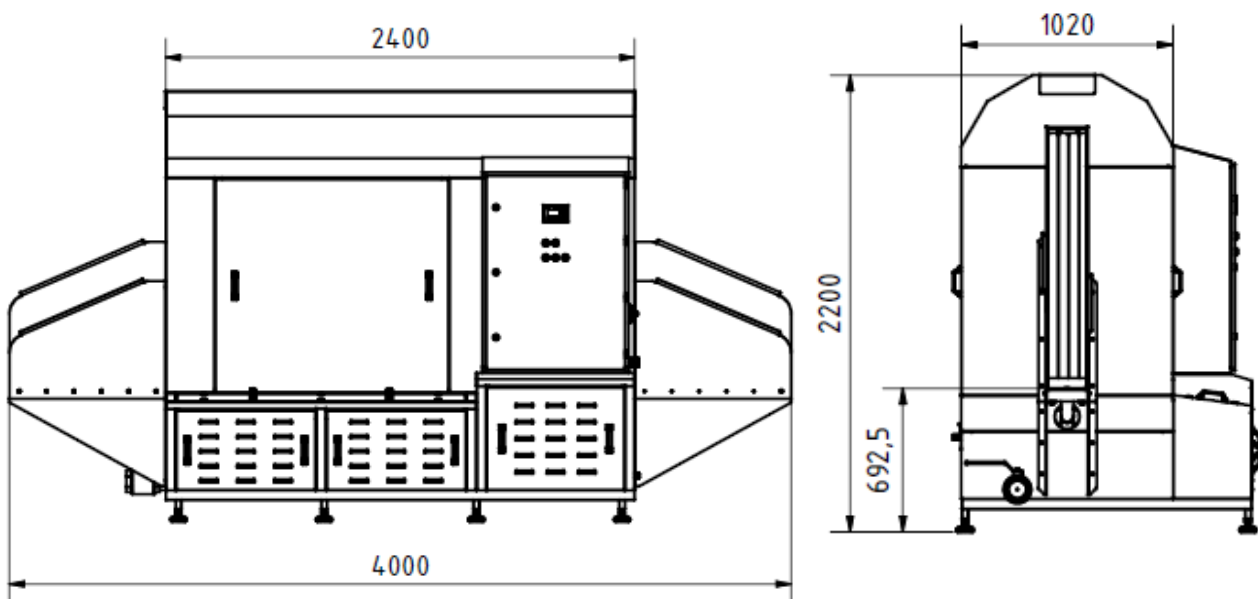
Technical Data Pallet washer:

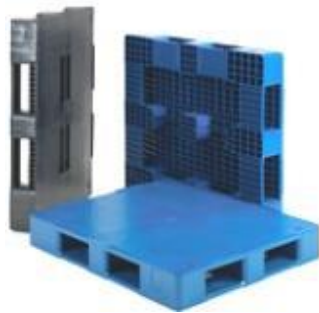
Guiding plate IN+OUT	Length	: 800 mm
	Feature	: with built-in roles
Main wash zone	Length	: 1620 mm
	Tank capacity	: 450 litre
	Tank heating	: 2 x 4 kW
	Washing temperature	: 40 - 65°C adjustable
	Nozzles	: Clip-eyelet (rotatable flat nozzles)
	Filter system	: 2 pcs Filter fabrics comfortable, in drawer
Rinsing zone	Length	: 500 mm
	Temperature recommended	: 60 - 85 °C (be provided by the customer; alternatively via flow heaters or steam)
	Nozzles	: flat nozzles
Conveying system	Conveying system	: transport chain

Industrial Washing machines

	Distance of carrier	: 100 mm
Heating system	System	: electrical heater
	Power	: 3 x 9 kW
Utility connections	Electrical connection	: 400V / 50Hz
	Control voltage	: 24 V
	Water inlet	: 3/4", 1 - 10 bar, Cold- and warm water
	Water outlet	: 2", ball valve

Article description	
Electrical heating	
Steam heating	
Possible Options	
Electrical heating	
Tank heating 36 kW	
Steam heating	
Steam valve air	
Electrical valve stem	
Steam-water mixing valve (Rinse water)	
Possible Options for all execution	
Electrical flow heater, 400 VAC, for rinsing water 85°C	
Frequency converter +/- 30%	
Conductivity controlled metering pump for detergent	
Metering pump 230 VAC, for rinsing aid, adjustable 010 - 3,0 l/hour	
Pump 15 kW, Pump capacity 1200 l/min, 4 - 5 bar pressure	
Vapor extractor with integrated stainless steel piping	
Cold air blaster: is integrated into the unit following a neutrale zone. The crates are air blasted with cold air from all sides with suitable blowers (1x5kW)Total voltage 7 KW	
Blower 2 x 5,5 kW for cold air booster	





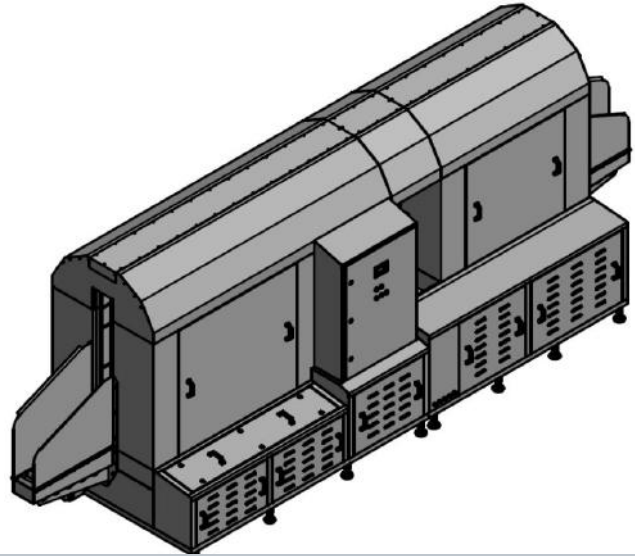
Pallet

LxWxH:

min: 1200 x 800 x 160 mm

max. 1200 x 1000 x 160 mm

Loading: Pass-through-machine



PWM100T

. Capacity: 100-200 Per hour

Compact conveying pallet washers for fast and effective cleaning of slight to moderately contaminated plastic hygiene pallets.

The unit is divided into a main wash, rinsing zone and drying zone. In the main wash zone the pallets are cleaned with circulating water which is invariably kept at the desired temperature by the installed tank heater. The water of the main wash zone is constantly filtered by an elaborate filtration system. In the rinsing zone the pallets are rinsed with clean fresh water and subsequently conducted into the tank of the main wash zone to be re-used. This procedure achieves minimal water, energy and chemical consumption as well as superb wash results. In the drying zone (Cold-air booster) the crates are air boosted with cold air.

In order to ensure an optimal cleaning of all faces, the pallets are transported by a conveyor chain at even distances through the unit; the installed rotatable. Clip-eyelet flat nozzles ensure an efficient cleaning of the pallets.


Pallet transportation : upright, horizontal

Technical Data Pallet washer:

Guiding plate IN+OUT	Length	: 800 mm
	Feature	: with built-in roles
Main wash zone	Length	: 1620 mm
	Tank capacity	: 450 litre
	Tank heating	: 2 x 4 kW
	Washing temperature	: 40 - 65°C adjustable
	Nozzles	: Clip-eyelet (rotatable flat nozzles)
	Filter system	: 2 pcs Filter fabrics comfortable, in drawer
Rinsing zone	Length	: 780 mm
	Temperature recommended	: 60 - 85 °C (be provided by the customer; alternatively via flow heaters or steam)
	Nozzles	: flat nozzles
Drying zone	Length	: 1500 mm
	Blower	: 5,5 KW

Industrial Washing machines

Conveying system	Conveying system	: transport chain
	Distance of carrier	: 100 mm
Heating system	System	: electrical heater
	Power	: 3 x 9 kW
Utility connections	Electrical connection	: 400V / 50Hz
	Control voltage	: 24 V
	Water inlet	: ½" + ¾", 1 - 10 bar, Cold- and warm water
	Water outlet	: 3" -1 ½" ball valve

Article description	
Electrical heating	
Steam heating	
Possible Options	
Electrical heating	
Tank heating 36 kW	
Steam heating	
Steam valve air	
Electrical valve stem	
Steam-water mixing valve (Rinse water)	
Possible Options for all execution	
Electrical flow heater, 400 VAC, for rinsing water 85°C	
Frequency converter +/- 30%	
Conductivity controlled metering pump for detergent	
Metering pump 230 VAC, for rinsing aid, adjustable 010 - 3,0 l/hour	
Pump 15 kW, Pump capacity 1200 l/min, 4 - 5 bar pressure	
Vapor extractor with integrated stainless steel piping	
Blower 2 x 5,5 kW for cold air booster	

