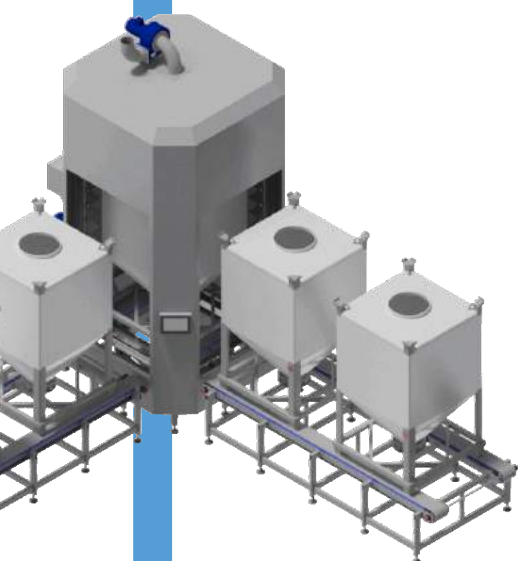
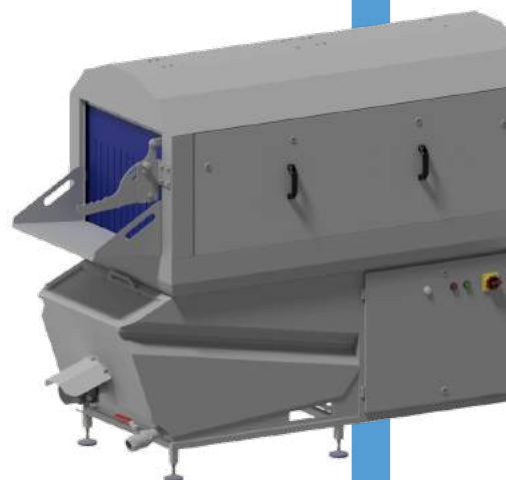
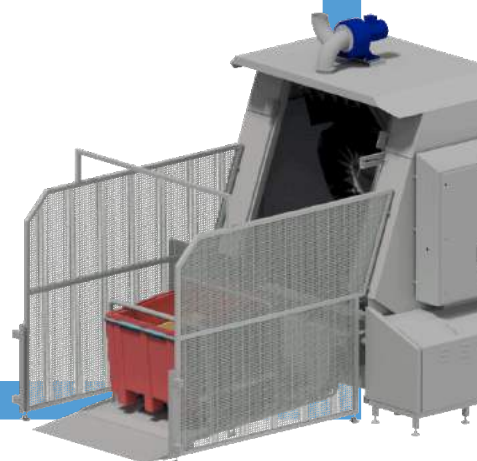


WASHING SYSTEMS



WASHING SYSTEMS FOR
THE FOOD INDUSTRY



SUSTAINABLE
WASHING



INNOVATIVE
TECHNOLOGIES



TOP
QUALITY



FLEXIBLE
PRODUCTS

ADVANTAGES



We attach great importance to sustainability when developing our systems. Due to the unique washing process, the washing systems are extremely resource-saving in terms of their water and energy consumption.



Every day we further develop the washing performance of the systems and research into making our systems even more resource-efficient and effective.



We check each of our high-quality systems before delivery and support you with the installation.



Since every company is unique in its own way, we plan the system together with you and adapt it to your needs.

EXPERIENCE



Our systems are in use in more than 78 countries around the world.

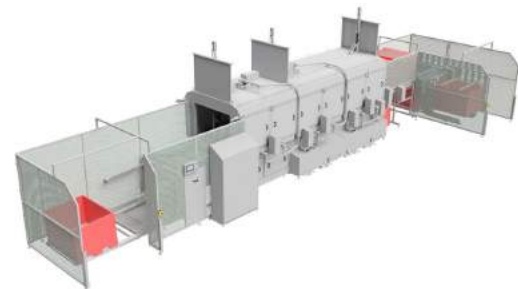


Our team has more than 25 years of experience and we have over 5,000 satisfied customers.



Over 500 systems are currently in use and have cleaned over 1,000,000 goods.

+49 7955 58 294-17
info@heimedt.de
www.heimedt.com



CRATES & BOXES WASHER SYSTEMS

Crate washer system in hygienic design for quick and effective cleaning of moderately to heavily soiled crates in various designs.



Capacity: 100 to 2,000 boxes per hour



Dimensions depending on requirements

The washing process



In the **main washing zone**, the crates are cleaned with circulating water, which is constantly filtered and reused by the built-in filter system.



In the **rinse zone**, the crates are rinsed with fresh water (optionally with disinfectant).



The built-in **special nozzles** ensure optimum cleaning of the wash ware.



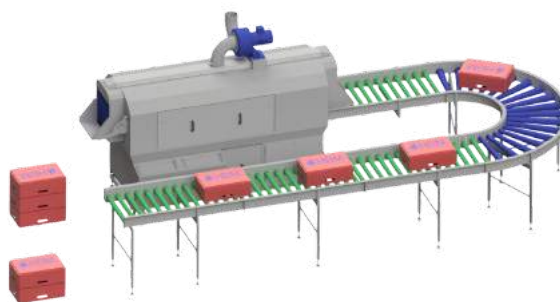
The water used in the rinse zone is reused in the main wash zone. This **technology** achieves optimal washing results with minimal water, energy and chemical consumption.



Excerpt of possible options



Optionally with drying module



Connection to production with conveyor belts



Simple operation due to 1-man module

Cleaning goods

The systems are designed for cleaning boxes (E1, E2, E3 boxes, S-performance containers or boxes). However, they can also be optionally adapted to any product to be cleaned.



PALLETS WASHER SYSTEMS

Pallet washer systems in hygienic design for fast and effective cleaning of medium to heavily soiled pallets in various designs.



Capacity: 100 to 2,000 pallets per hour



Dimensions depending on requirements

The washing process



In the **main washing zone**, the pallets are cleaned with circulating water, which is constantly filtered and reused by the built-in filter system.



In the **rinse zone**, the pallets are rinsed with fresh water (optionally with disinfectant).



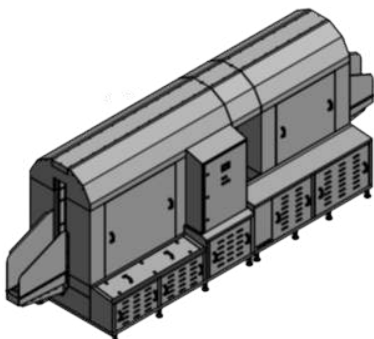
The built-in **special nozzles** ensure optimum cleaning of the wash ware.



The water used in the rinse zone is reused in the main wash zone. This **technology** ensures optimal washing results with minimal water, energy and chemical consumption.



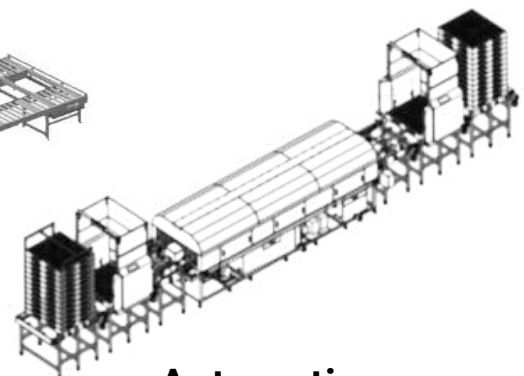
Excerpt of possible options



Optionally with drying module



Connection to production with conveyor belts



Automatic Loading and unloading

Cleaning goods

The systems are designed for cleaning pallets (special, returnable, industrial, IPPC, Euro & chemical pallets). However, they can also be adapted to any pallet to be cleaned.



CONTAINER WASHER SYSTEMS

Container washer system in hygienic design as a continuous washing system for cleaning various containers. .



Capacity: 20 to 100 goods per hour

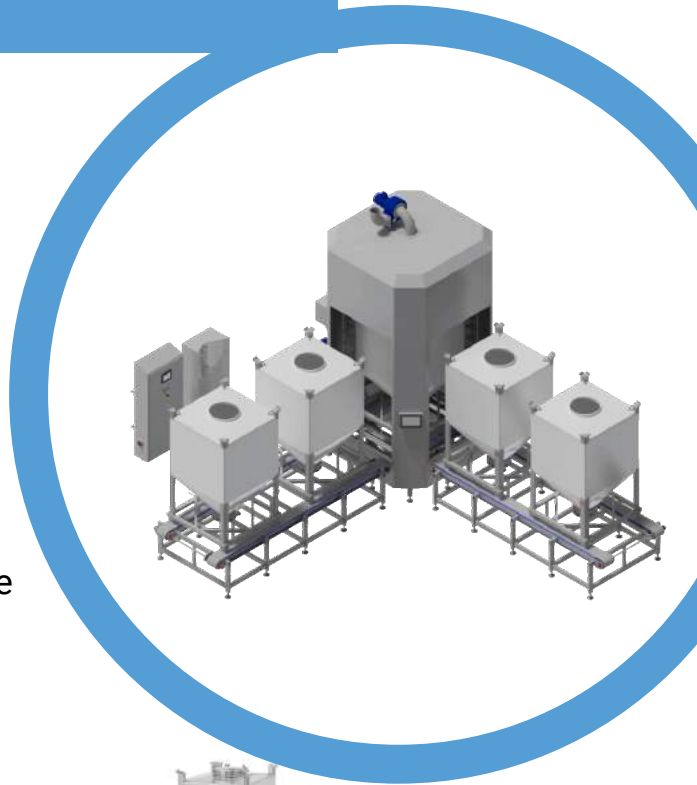


Dimensions depending on requirements

The containers are fed manually via a conveyor belt manually via a conveyor belt and washing system. By means of sensors, the position of the emptying flap is queried and, if it is in the correct position, it is fed into the washing cycle. The cycle of the system is interrupted if there are too many containers on the conveyor belt.

- adjustable cleaning & washing cycles
- self-cleaning wash cabin
- Main wash tank with innovative high pressure pump

The system is adapted to the dimensions of the containers.



CHARGING TROLLEY WASHER SYSTEMS

Lift & feed trolley washer system as a filling washing system or continuous washing system for different sizes of trolleys.



Capacity: 20 to 200 trolleys per hour

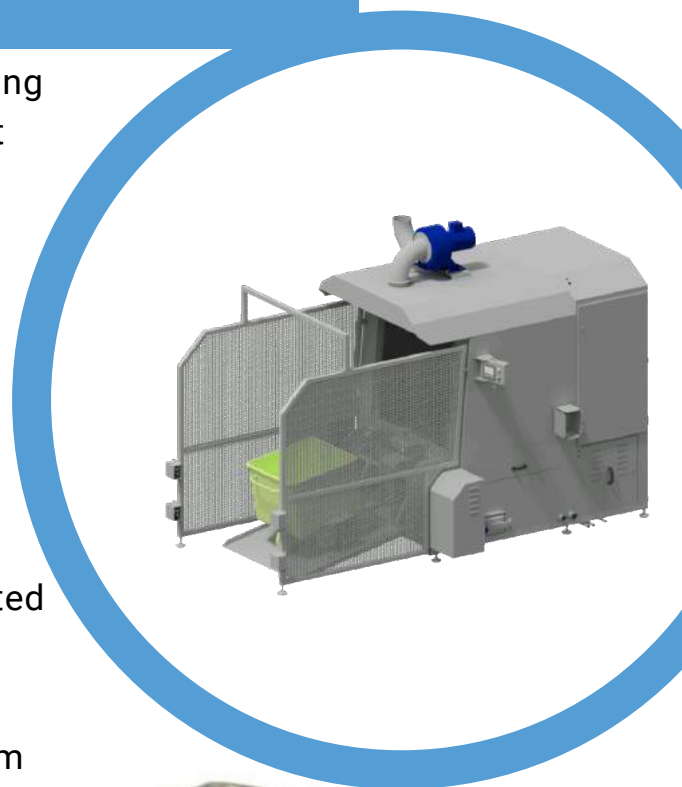


Dimensions depending on requirements

The washing system has a pre-wash, main wash & rinse zone. In the main wash zone, the containers are washed with reused water from the rinse zone (35 - 60°C). 60°C). A drying module can be integrated into the a drying module can be integrated into the continuous washing system.

- adjustable cleaning & washing cycles
- available as filling & continuous washing system
- Main wash tank with innovative high-pressure pump

The system is adapted to the dimensions of the containers.



BIG BOX & PALOXEN WASHER SYSTEMS

Big box & pallox washer systems in hygienic design as a continuous washer for cleaning various big boxes and pallet boxes.



Capacity: 20 to 200 goods per hour

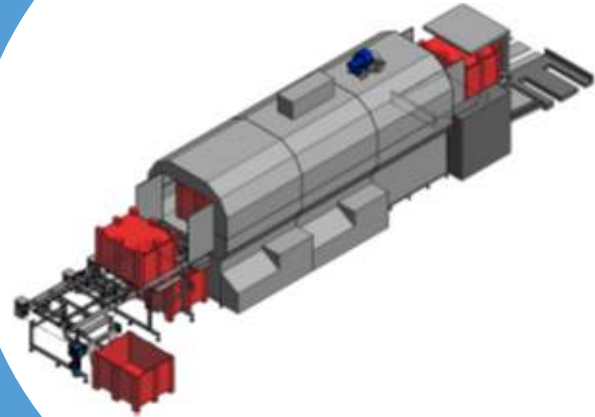


Dimensions depending on requirements

The washing system has a pre-wash, main wash & rinse zone. In the main wash zone, the containers are washed with reused water from the rinse zone (50 - 60°C). In the flow-through system a drying module can also be integrated.

- adjustable cleaning & washing cycles
- available as filling & continuous washing system
- Main wash tank with innovative high-pressure pump

The system is adapted to the dimensions of the containers.



SMOKE STICK WASHER SYSTEMS

Smoke stack washer systems as a solid stainless steel construction with simple operation and control via time relay.



Capacity: up to max. 500 per wash cycle



Dimensions depending on requirements

To load, open the lid of the smoke stick washing unit and insert the drum with the smoke sticks into the open unit using an overhead crane. Close the lid tightly. A safety switch detects the closed lid and releases the actual washing process.

- Adjustable washing time depending on degree of soiling
- Individual dosage of detergent
- Water temperature adjustable via thermostat

The system is adapted to the dimensions of the smoke sticks.



BUCKET WASHER SYSTEMS

Bucket washer systems made of stainless steel and manufactured according to HACCP standards. For effective and resource-saving cleaning of buckets.



Capacity: 20 to 2,000 buckets per hour

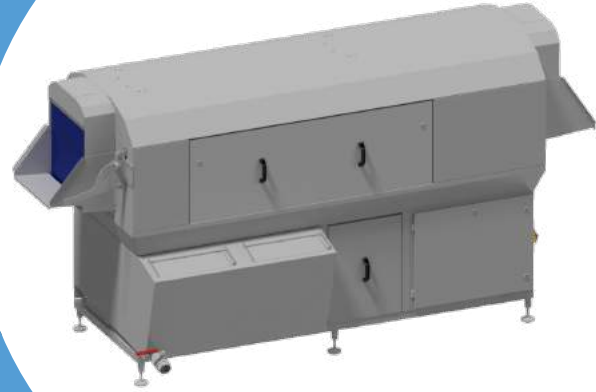


Dimensions depending on requirements

The washing system has a pre-wash, main wash and a rinse zone. In the main wash zone, the containers are washed with reused water from the rinse zone (50 to 60°C). A drying module can also be integrated into the continuous washing system on request.

- adjustable cleaning & washing cycles
- available as filling & continuous washing system
- Main wash tank with innovative high-pressure pump

The system is adapted to the dimensions of the buckets.



CANS & GLASS WASHER SYSTEMS

Glass & can washer systems, with integrated main wash and rinse, manufactured according to HACCP standard & made of high quality stainless steel.



Capacity: 100 to 5,000 goods per hour



Dimensions depending on requirements

In the **main washing zone**, the cans or jars are cleaned with circulating water, which is constantly kept at the desired temperature by the built-in tank heating. The water is constantly filtered by a sophisticated filter system. In the rinsing zone, the knife baskets are rinsed with clean fresh water.

- Washing time depending on degree of soiling
- Individual dosage of detergent
- Water temperature adjustable via thermostat

The system is adapted to the dimensions of the cans or jars.



INDUSTRIAL WASHING SYSTEMS

Industrial washing system made of high-quality stainless steel. The washing system is adapted to the industrial goods to be cleaned.



Capacity: depending on the goods to be cleaned



Dimensions depending on requirements

The washing systems in hygienic design are available as continuous washing systems or filling systems. They are available. We adapt the system individually to your wishes and needs. We design the system together with you to provide you with ideal washing results.

- adjustable cleaning & washing cycles
- available as filling & continuous washing system
- Main wash tank with innovative high-pressure pump



The system is adapted to the dimensions of the containers.



KNIFE BASKET WASHER SYSTEMS

Knife basket washing system, with integrated main wash and rinse, for effective cleaning of dirty knife baskets.



Capacity: 100 to 500 baskets per hour

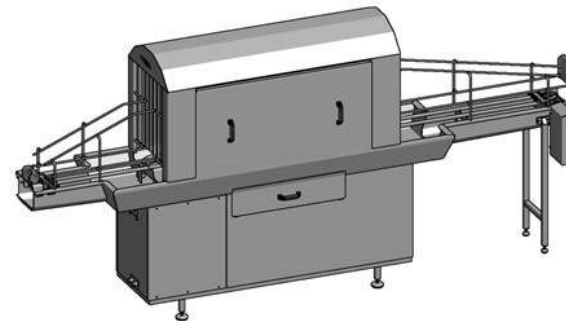


Dimensions depending on requirements

In the main washing zone, the baskets are cleaned with circulating water. The water in the main wash zone is constantly filtered and reused by a sophisticated filter system.

In the rinse zone, the knife baskets are rinsed with clean fresh water

- adjustable cleaning & washing cycles
- Individual dosage of detergent
- Water temperature adjustable via thermostat



The system is adapted to the dimensions of the knife baskets.



CAKE & BAKING TRAY WASHER SYSTEMS

Cake & baking tray washer system, for cleaning and drying medium to heavily soiled baking & cake trays.



Capacity: 100 to 500 sheets per hour

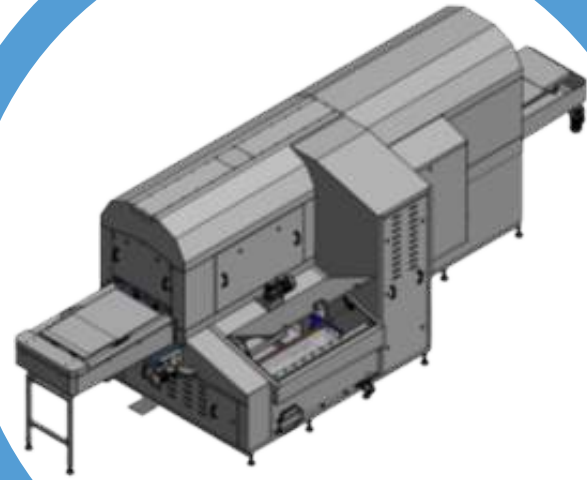


Dimensions depending on requirements

The washing system is separated into a main washing zone, rinse zone and drying zone. In order to ensure optimal cleaning of the front side, the sheets are transported through the system at equal intervals by a carrier of the transport chain.

- Adjustable cleaning & washing cycles
- individual dosage of detergent
- Main wash tank with innovative high-pressure pump

The system is adapted to the dimensions of the sheets.



SILICONE MOULDS WASHER SYSTEMS

Silicone mould washer system, with integrated main wash, rinse and drying for effective cleaning of dirty silicone moulds.



Capacity: 100 to 800 moulds per hour

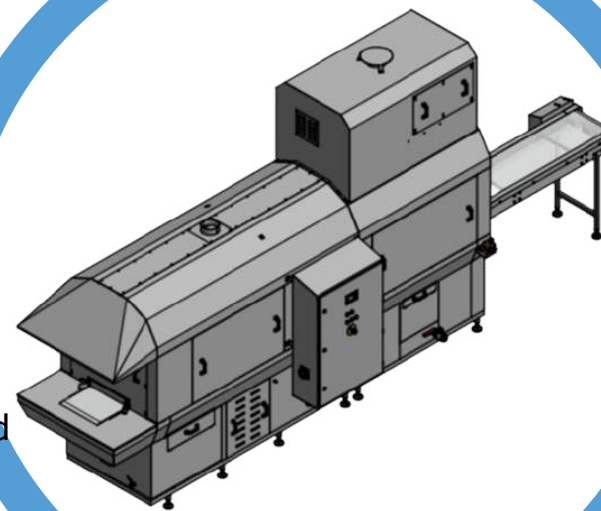


Dimensions depending on requirements

In the main washing zone, the silicone moulds are cleaned with circulating water. The water in the main washing zone is constantly filtered by a filter system. In the rinse zone, the silicone moulds are rinsed with fresh water. After drying, the silicone moulds can be fed directly back into the production cycle.

- Adjustable cleaning & washing cycles
- individual dosage of detergent
- Main wash tank with innovative high-pressure pump

The system is adapted to the dimensions of the silicone moulds.



MULTI-HEAD PAN WASHER SYSTEMS

Multihead weighing pan washer with integrated main wash, rinse and dry, for effective cleaning of multihead weighing pans.



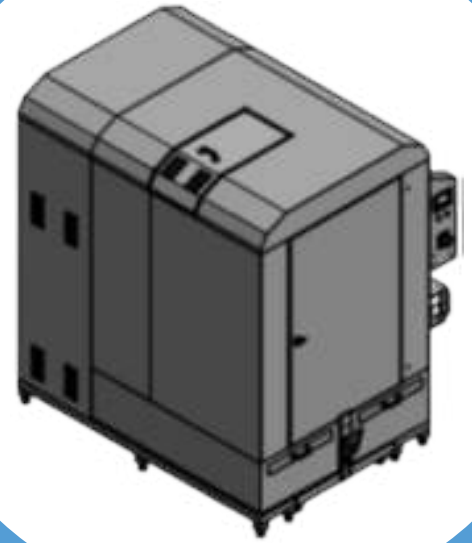
Capacity: 10 to 50 units per hour



Dimensions depending on requirements

The washing system is fed by a specially developed transport trolley with a suspension system. The transport trolley serves both to pick up and transport the trays. The suspension system can be rotated at any time and the capacity is variable.

- Adjustable cleaning & washing cycles
- individual dosage of detergent
- available as filling & continuous washing system



The system is adapted to the dimensions of the trays.

DISHES WASHER SYSTEMS

Compact dishwashing system for fast and effective cleaning of canteen dishes. The system is loaded manually.



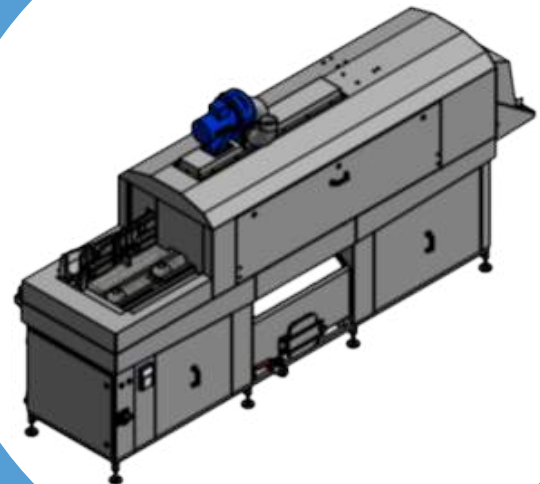
Capacity: 100 to 2,000 sets per hour



Dimensions depending on requirements

In the main wash zone, the dishes are cleaned with circulating water, which is constantly cleaned by the built-in filter system. The built-in tank heater keeps the wash water at the desired temperature at all times. In the rinse zone, the trays are thermally disinfected with hot and clean fresh water.

- regulierbare Reinigungs- & Waschzyklen
- individuelle Dosierung des Waschmittels
- als Befüllungs- & Durchlaufwaschanlage erhältlich



The system is adapted to the dimensions of the dishes.

Contact

Berthold Heim

 Managing Director

 b.heim@heimedt.de

Michael Vogel

 Technical Distribution

 m.vogel@heimedt.de

Marvin Heim

 Marketing Manager

 m.heim@heimedt.de

HEIM - EDT GmbH

 +49 7955 58 294-17

 info@heimedt.de

 www.heimedt.com



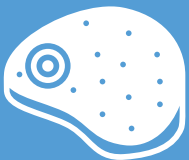
HEIM - EDT GmbH

Heim-EDT GmbH has over 25 years of experience in the production of washing systems.

We adapt the systems to your needs. Tell us what you want to clean and we will develop the system to suit your company.

Areas

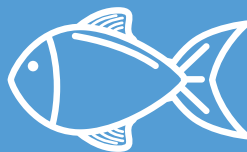
The systems are suitable for the following industries:



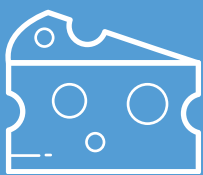
MEAT



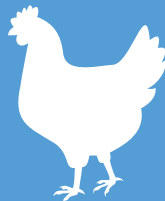
BAKERY & CONFECTIONERY



FISH



CHEESE-DAIRY PRODUCTS



POULTRY



FRUIT & VEGETABLE



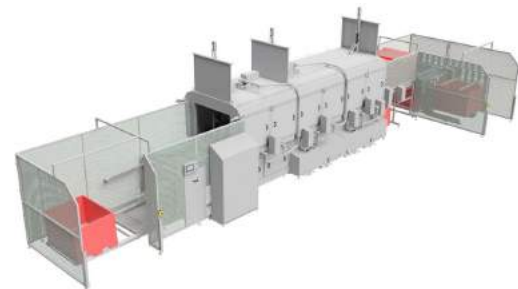
PHARMACEUTICAL
INDUSTRY



LOGISTICS



AUTOMOTIVE
INDUSTRY



+49 7955 58 294-17
info@heimedt.de
www.heimedt.de